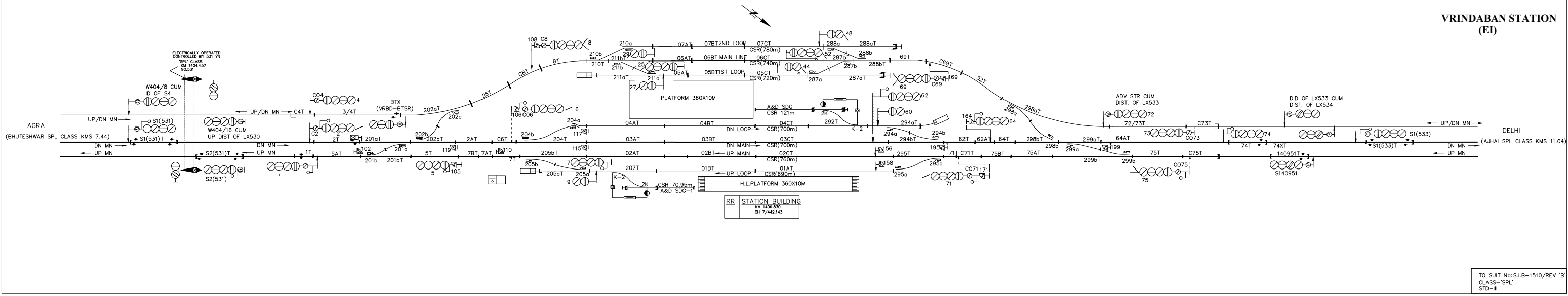


**VRINDABAN STATION
(EI)**



TO SUIT No: S.I.B-1510/REV 'B'
CLASS-'SPL'
STD-III