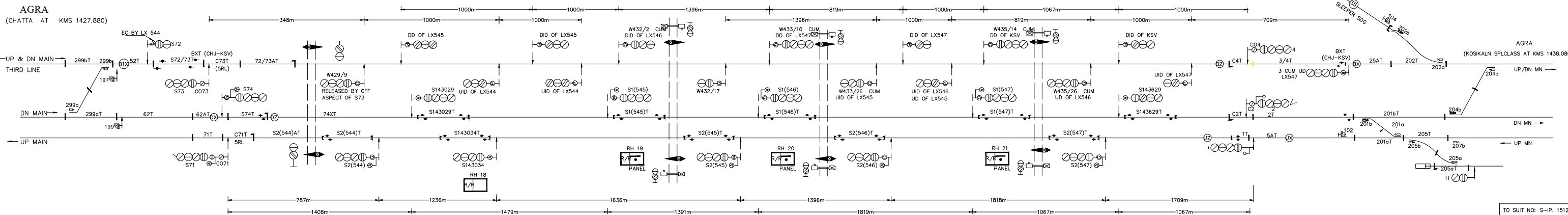


**AUTOMATIC SIGNALLING BETWEEN
CHATA- KOSIKALANSECTION**

**AUTOMATIC SIGNALLING BETWEEN
CHATA- KOSIKALANSECTION**



TO SUIT NO: S-IP. 1512/
DT.30.01.2012