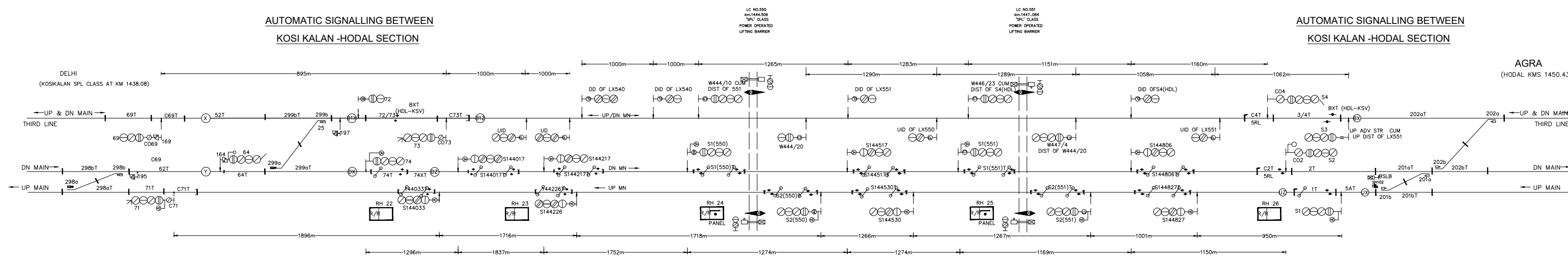


**AUTOMATIC SIGNALLING BETWEEN  
KOSI KALAN -HODAL SECTION**

**AUTOMATIC SIGNALLING BETWEEN  
KOSI KALAN -HODAL SECTION**



LC NO.550  
No.1444.084  
SPL. CLASS  
POWER OPERATED  
LIFTING BARRIER

LC NO.551  
No.1447.084  
SPL. CLASS  
POWER OPERATED  
LIFTING BARRIER

AGRA  
(HODAL KMS 1450.434)

TO SUIT NO. S-IP, 1513/1  
DT.07.03.2012