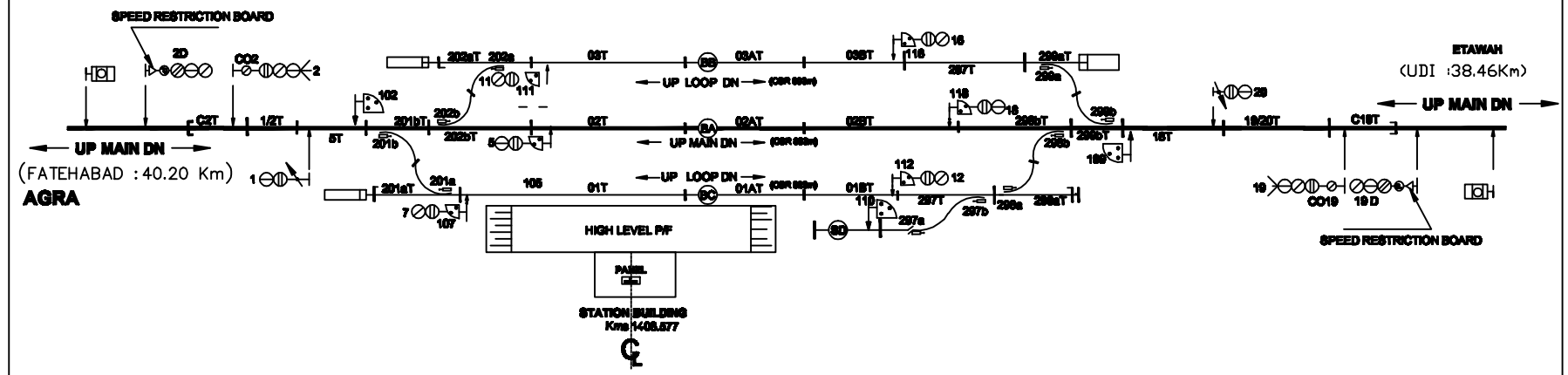


BAH STATION

'B' CLASS STD-II(R)

SSI



**TO SUIT DRG.
NO. SI- 2348**