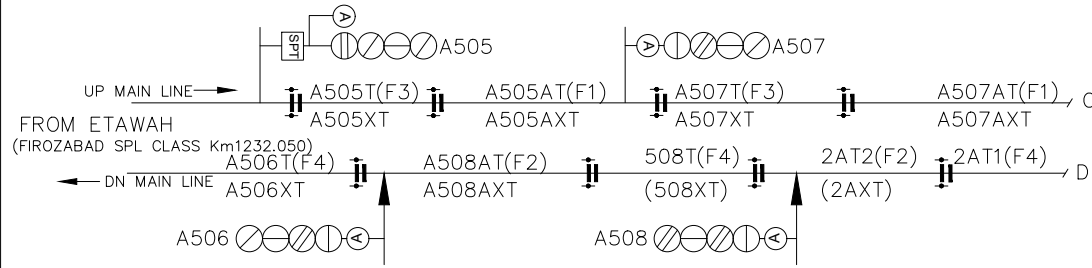


HIRANGAON

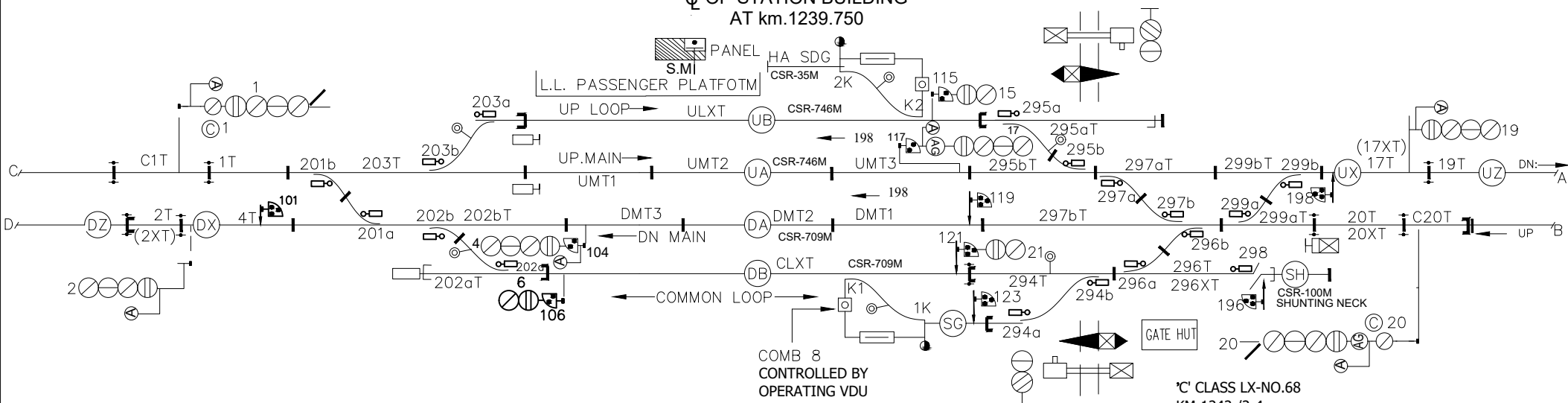
ALD- 035

(EI)



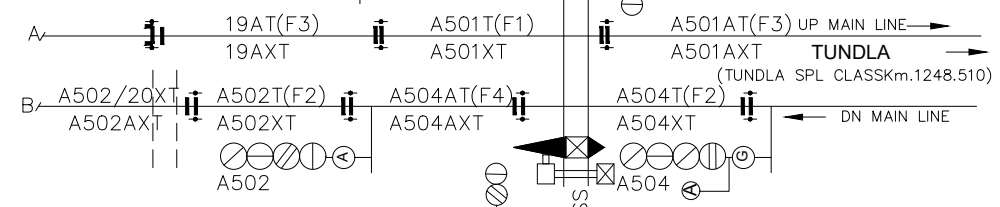
'C' CLASS LX-NO.67
 KM:1240 /1-3
 NORMALLY OPEN TO ROAD TRAFFIC
 CONTROLLED BY OPERATING VDU OF HNG

☐ OF STATION BUILDING
 AT km.1239.750



COMB 8
 CONTROLLED BY
 OPERATING VDU

'C' CLASS LX-NO.68
 KM:1242 /2-4
 NORMALLY OPEN TO ROAD TRAFFIC
 CONTROLLED BY OPERATING VDU OF HNG



TO SUIT NO:SIP-D-3059/ALT'C'
 DT 08.05.2013
 CLASS-'SPL'
 STD- III-R