

# MAKKHANPUR - FIROZABAD SECTION

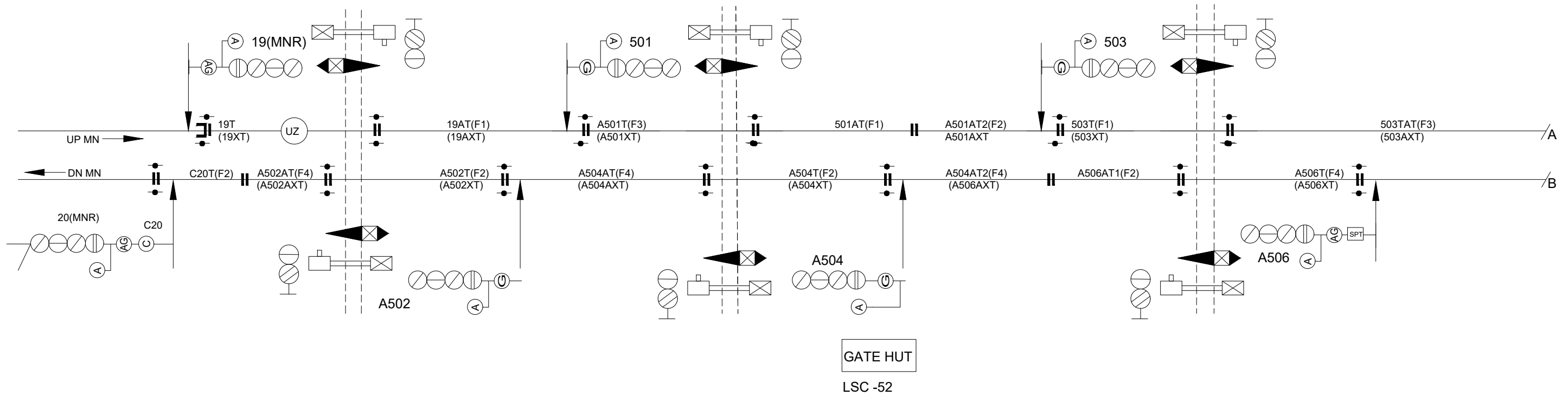
## AUTO SIGNALLING

**MAKKHANPUR**  
**ECU-53**  
**KM: 1221.770**

'C' CLASS LX-NO. 58  
 KM; 1223 /17-19  
 CONT. BY OPT. VDU OF MNR

'C' CLASS LX-NO. 59  
 KM; 1225 /0-1  
 CONT. BY OPT. VDU OF MNR

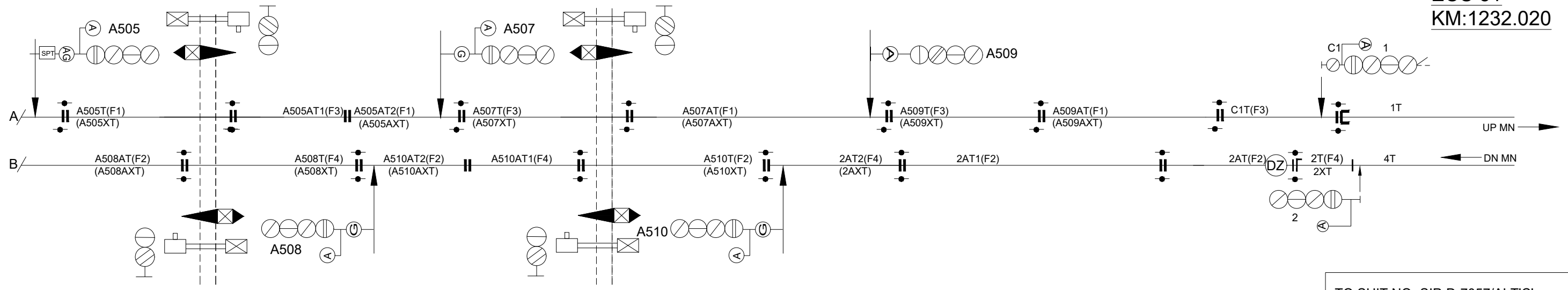
'C' CLASS LX-NO. 60  
 KM; 1226 /9-11  
 CONT. BY OPT. VDU OF MNR



'C' CLASS LX-NO. 61  
 KM; 1227 /11-13  
 CONT. BY OPT. VDU OF MNR

'A' CLASS LX-NO. 62KM;  
 1225 /25-27  
 CONT. BY OPT. VDU OF FZD

**FIROZABAD**  
**ECU 51**  
**KM:1232.020**



TO SUIT NO:-SIP-D-7057/ALT'C'  
 DT.26.12.2012