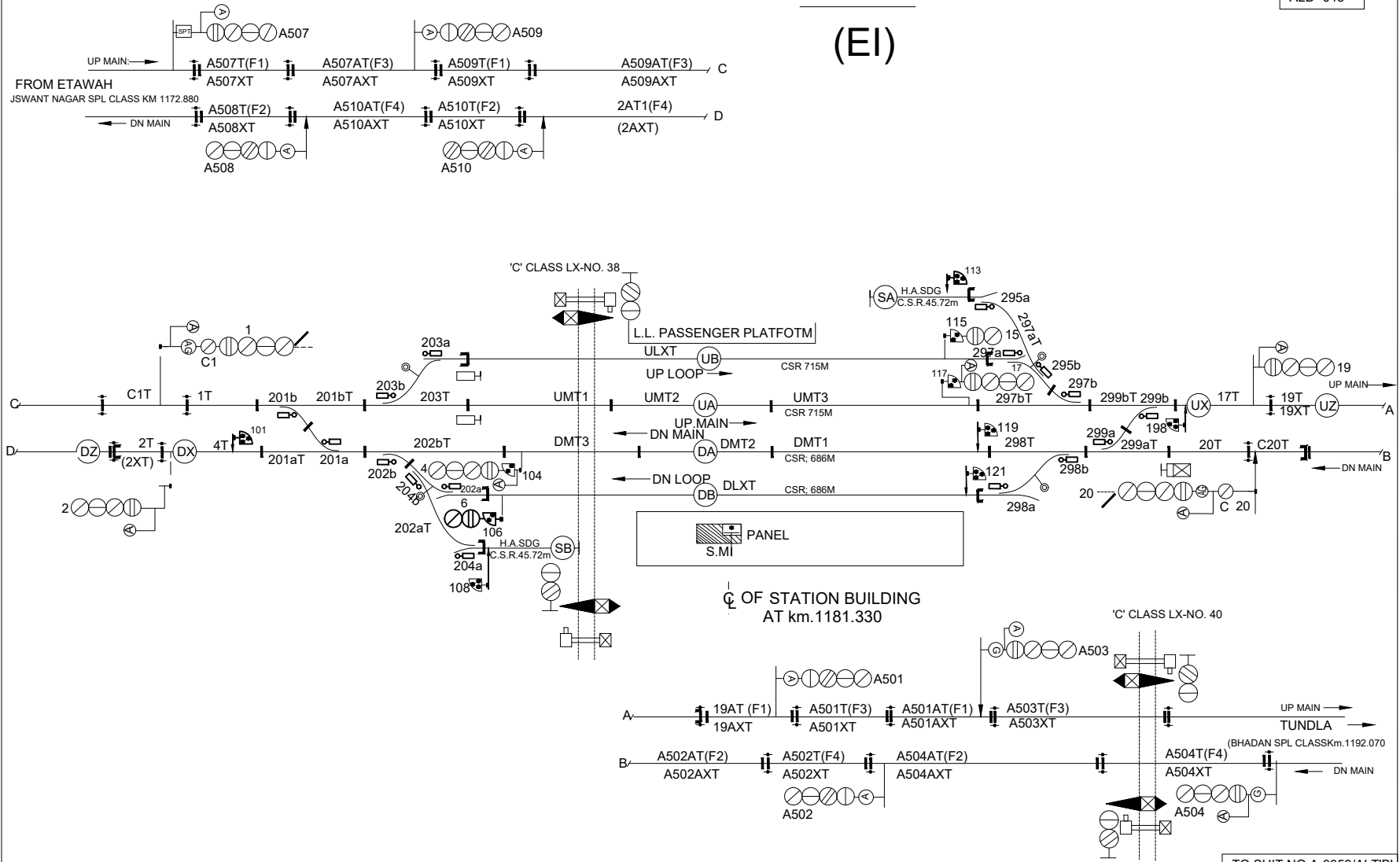


# BALRAI (EI)

ALD- 045



TO SUIT NO:A-3053/ALT'B'  
DT.20.09.2012  
CLASS-'SPL'  
STD- III-R