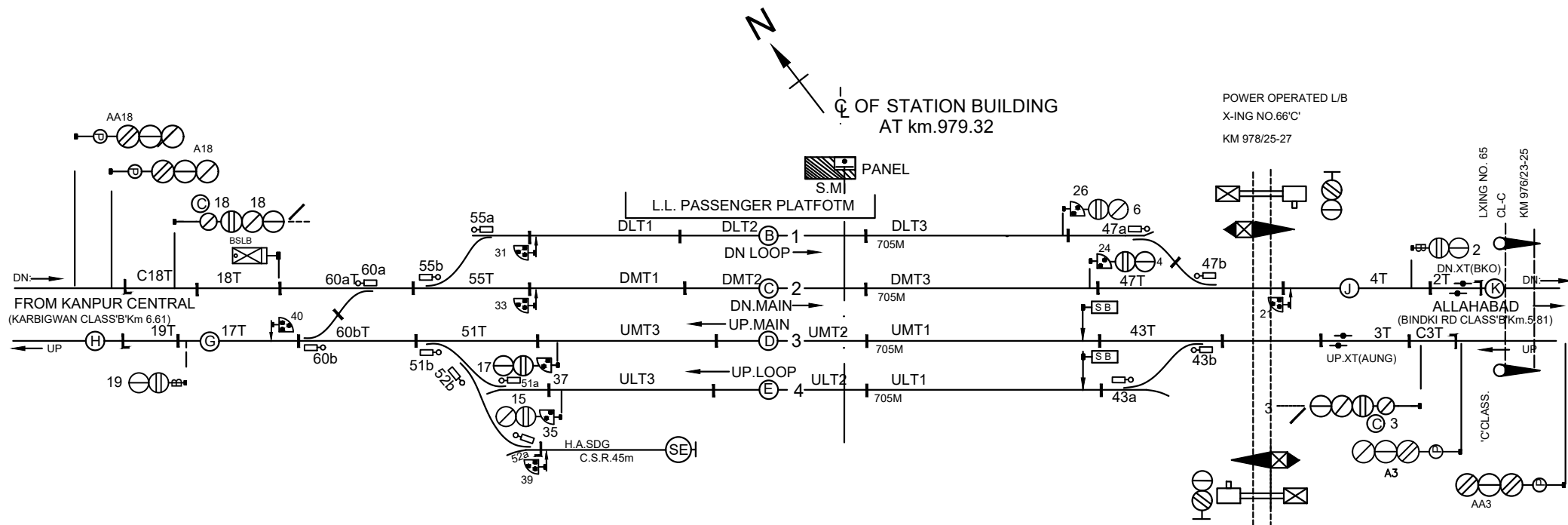


AUNG (EI)

ALD- 086



TO SUIT NO:A-3024
ALT-E DATED; 07.06.2016
CLASS- 'B'
STD- III