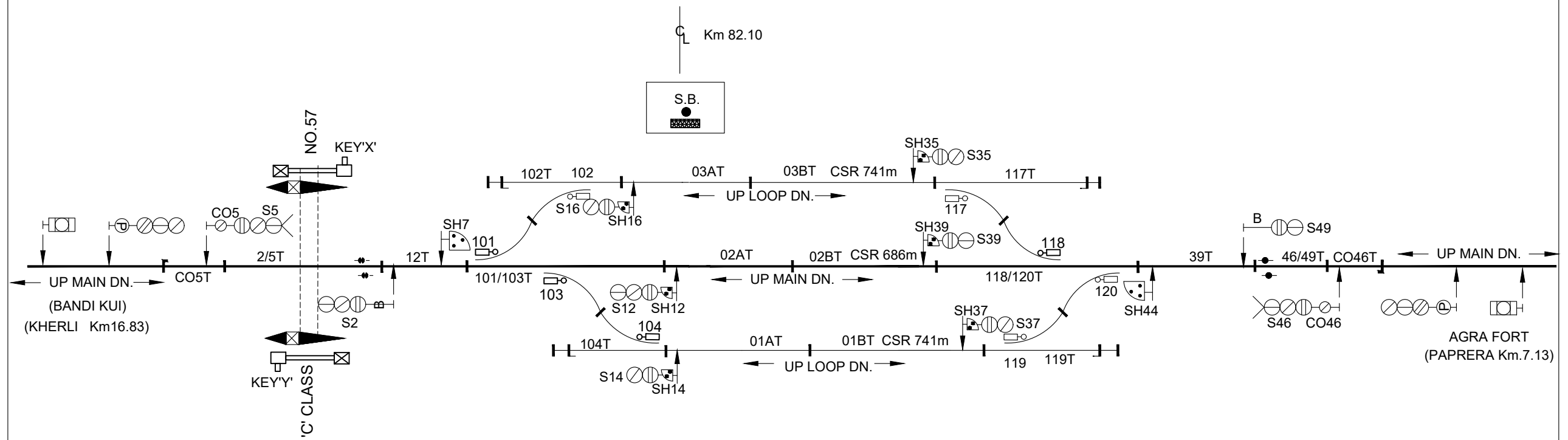


NADBAI STATION

34



TO SUIT NO:SIP E.1041/1/E'
STD-III CLASS 'B'