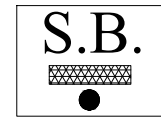
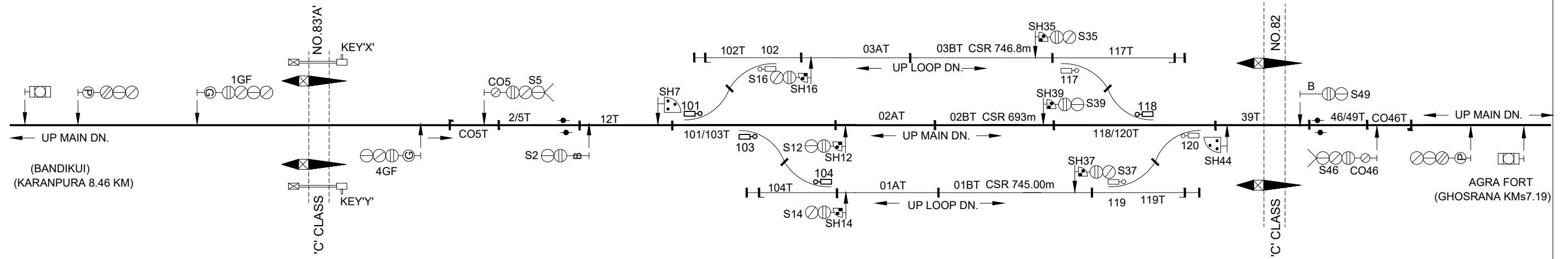
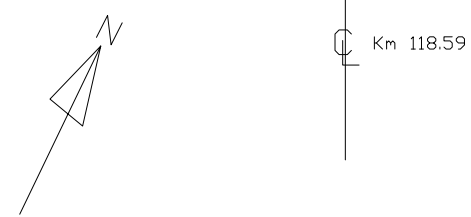


MANDAWAR-MAHWA ROAD STN



STD-III
 CLASS 'B'
 TO SUIT NO:SIP E-1046/1/A