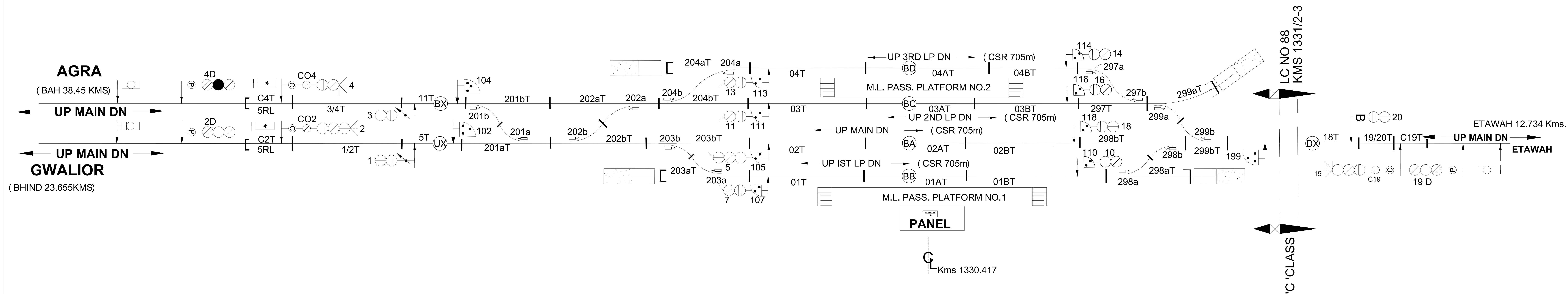
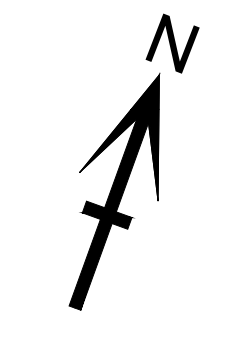


# UDI STATION

'B' CLASS STD -II(R)



TO SUIT DRG.  
NO. SI-I-2346