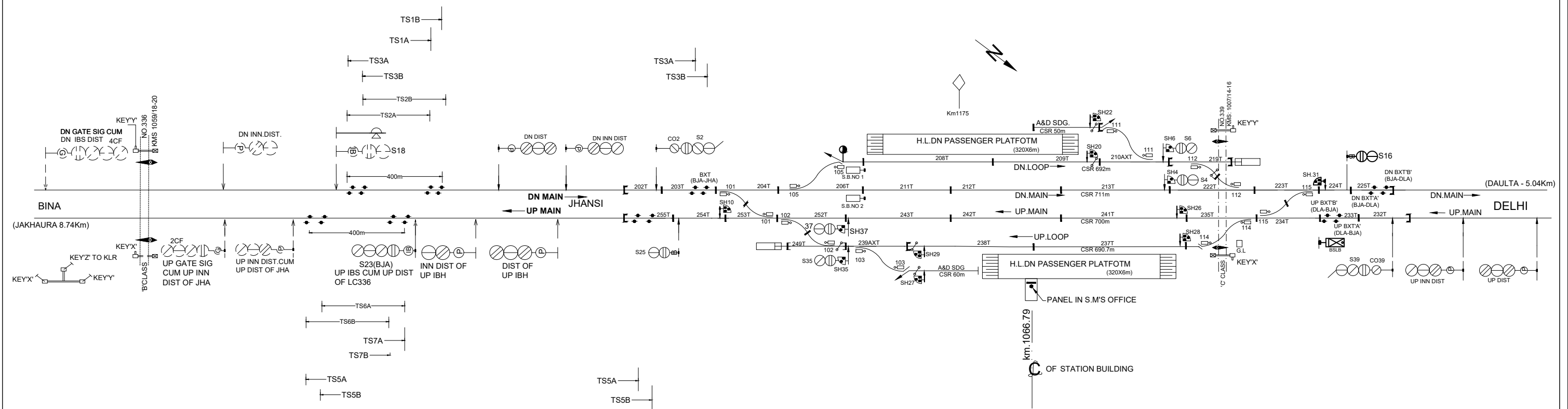


BIJROTHA STATION

A-12



TO SUIT NO: SIP.2224 / T1
DT.26.10.2017
CLASS-'B'
STD-III R