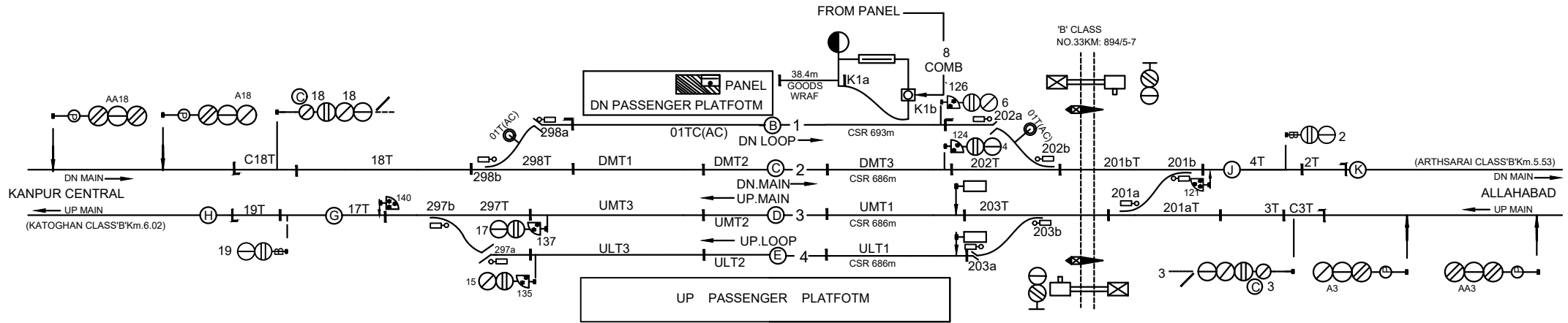


KUNWAR (EI)

ALD-100



C OF STATION BUILDING
← AT km.894.100



TO SUIT NO:S-IP-F-3012
ALT-'E' DT-26.04.2016
CLASS- 'B'
STD- III