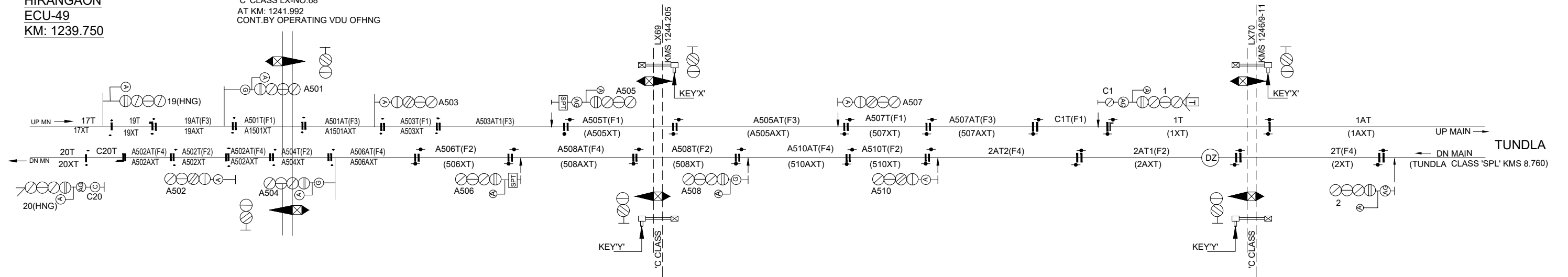


# HRANGAON -TUNDLA AUTO SIGNALLING

034A

**HIRANGAON**  
**ECU-49**  
**KM: 1239.750**

'C' CLASS LX-NO.68  
 AT KM: 1241.992  
 CONT.BY OPERATING VDU OFHNG



TO SUIT NO:-SIP-D-7059(PH-II)  
 /ALT'A'DT.20.10.2010