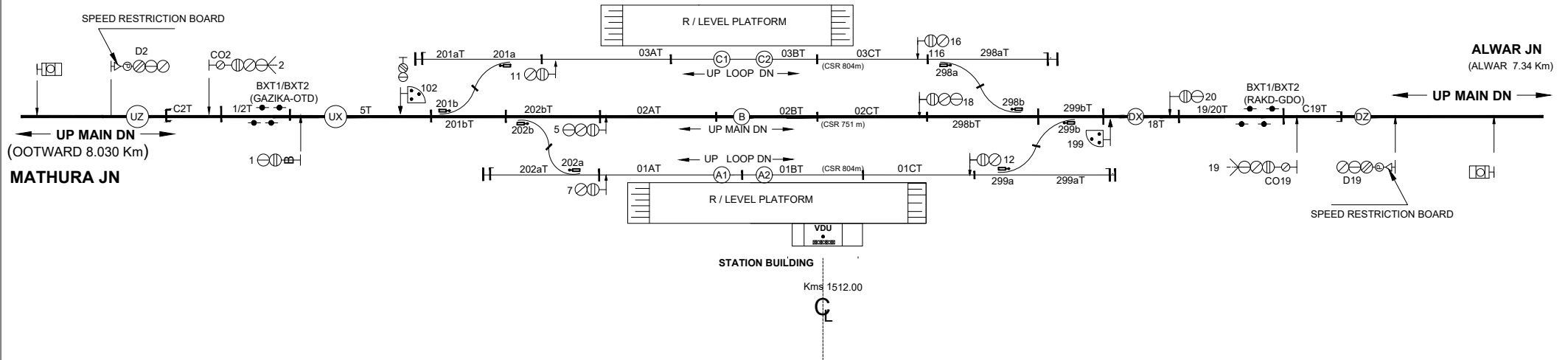
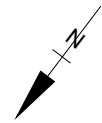


GAZIKA STATION EI 'B' CLASS STD -II(R)



TO SUIT DRG.
NO. SI-1419