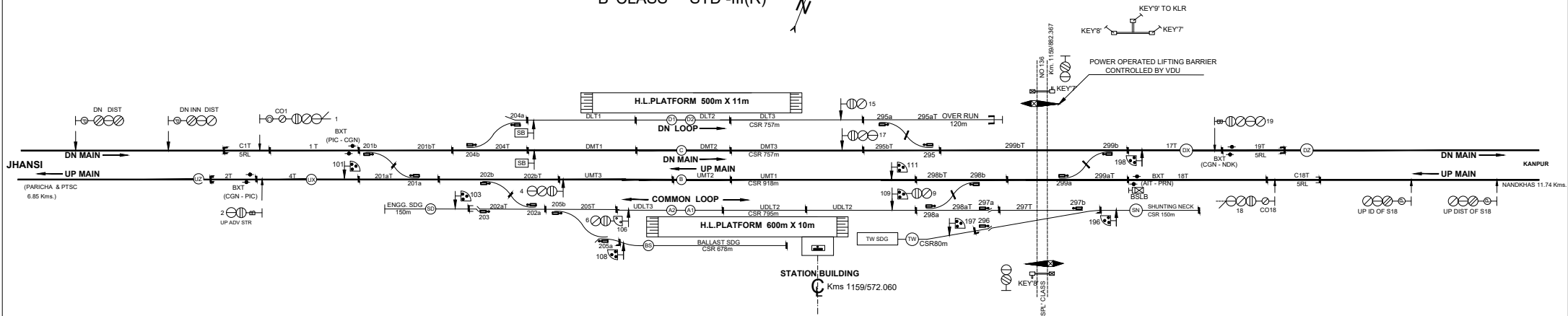


CHIRGAON STATION

(E1)

'B' CLASS STD -III(R)



TO SUIT SIP NO.2307
DT.03.10.2018