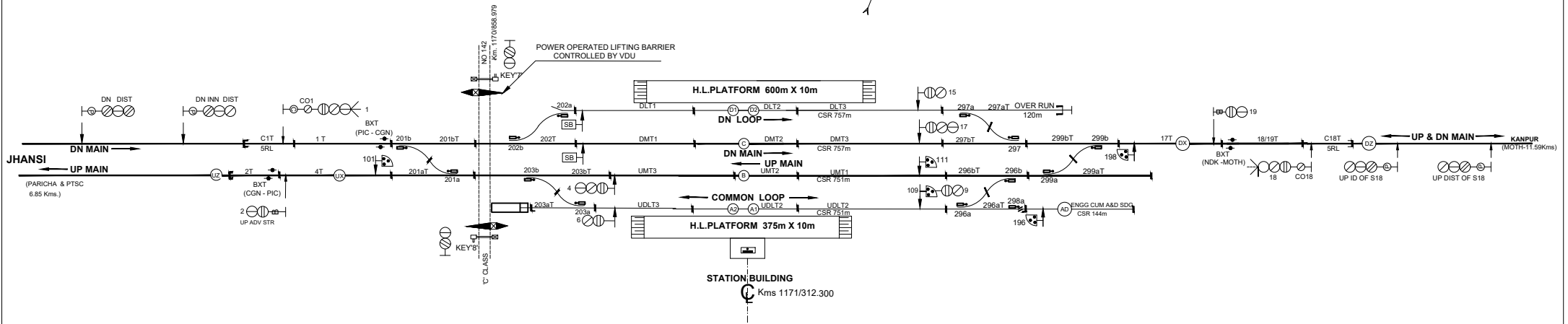


NANDKHAS STATION

(E1)

'B' CLASS STD-III(R)



TO SUIT SIP NO.2309/PH
DT.14.01.2019