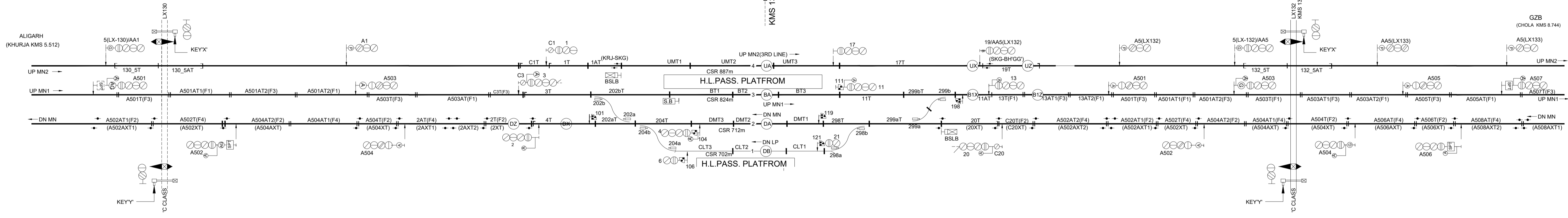


SHIKANDARPUR
(EI)

SHIKANDARPUR
(EI)

SHIKANDARPUR
(EI)

ALD-009



TO SUIT NO-A-3280/REV'A
DT:01-10-2014
CLASS: 'SPL'
STD- IIR