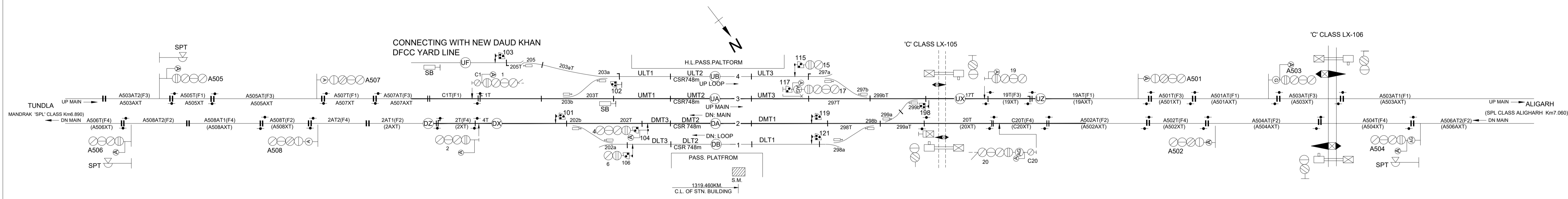


DAUDKHAN  
(EI)

ALD-020



SIP NO: SIP - 3225  
DT-20.12.2017  
CLASS - 'SPL'  
STD - III(R)