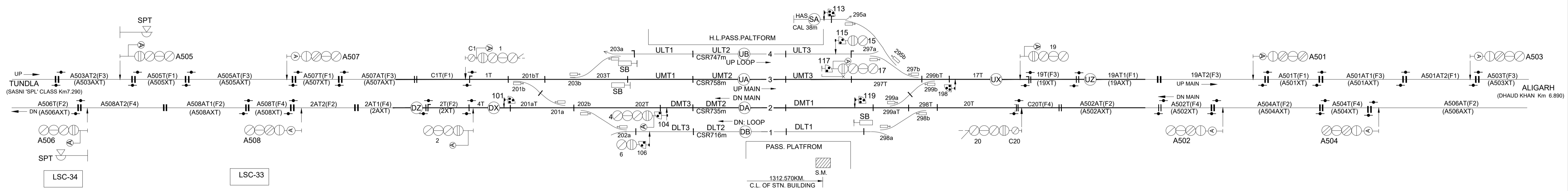
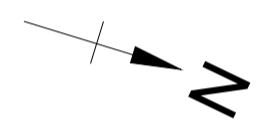


MANDRAK (EI)



LSC-34

LSC-33

SIP NO; SIP - D3068/ALT 'J'
DT.22.11.2017
CLASS - 'SPL'
STD - III(R)