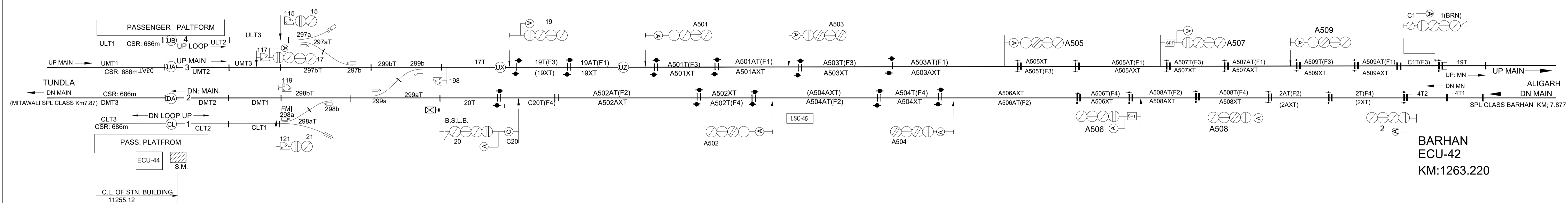


MITAWALI - BARHAN AUTO BLOCK SIGNALLING

MITAWALI (EI)

BARHAN (EI)



TO SUIT NO: SIP-D-7061(PH-II) ALT-A
DATED-16.04.2013