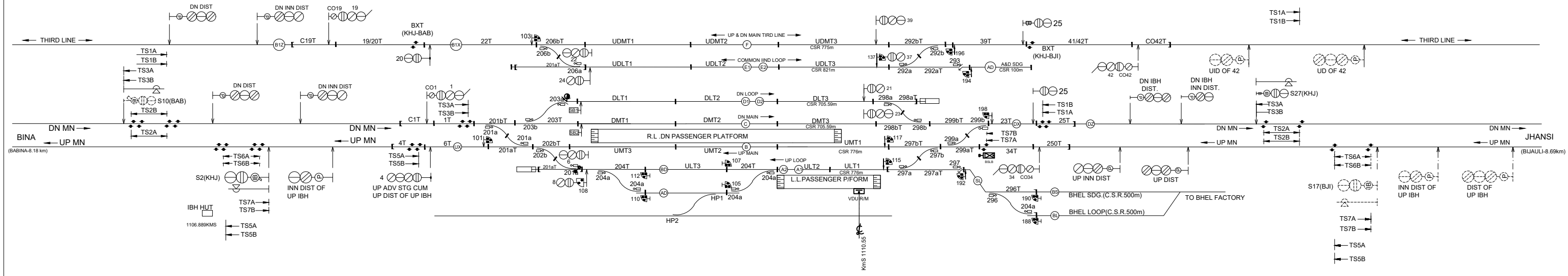


KHAJRAHA STATION EI 'B' CLASS STD III-R



TO SUIT NO.S.I.-B-2205 /2 PH
 DT.01.05.19
 CLASS-B
 STD-IIIR