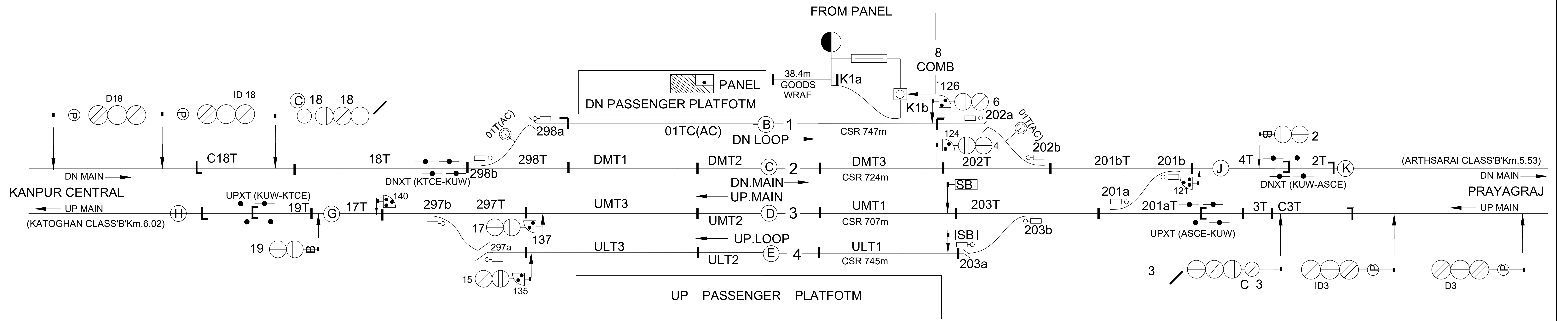
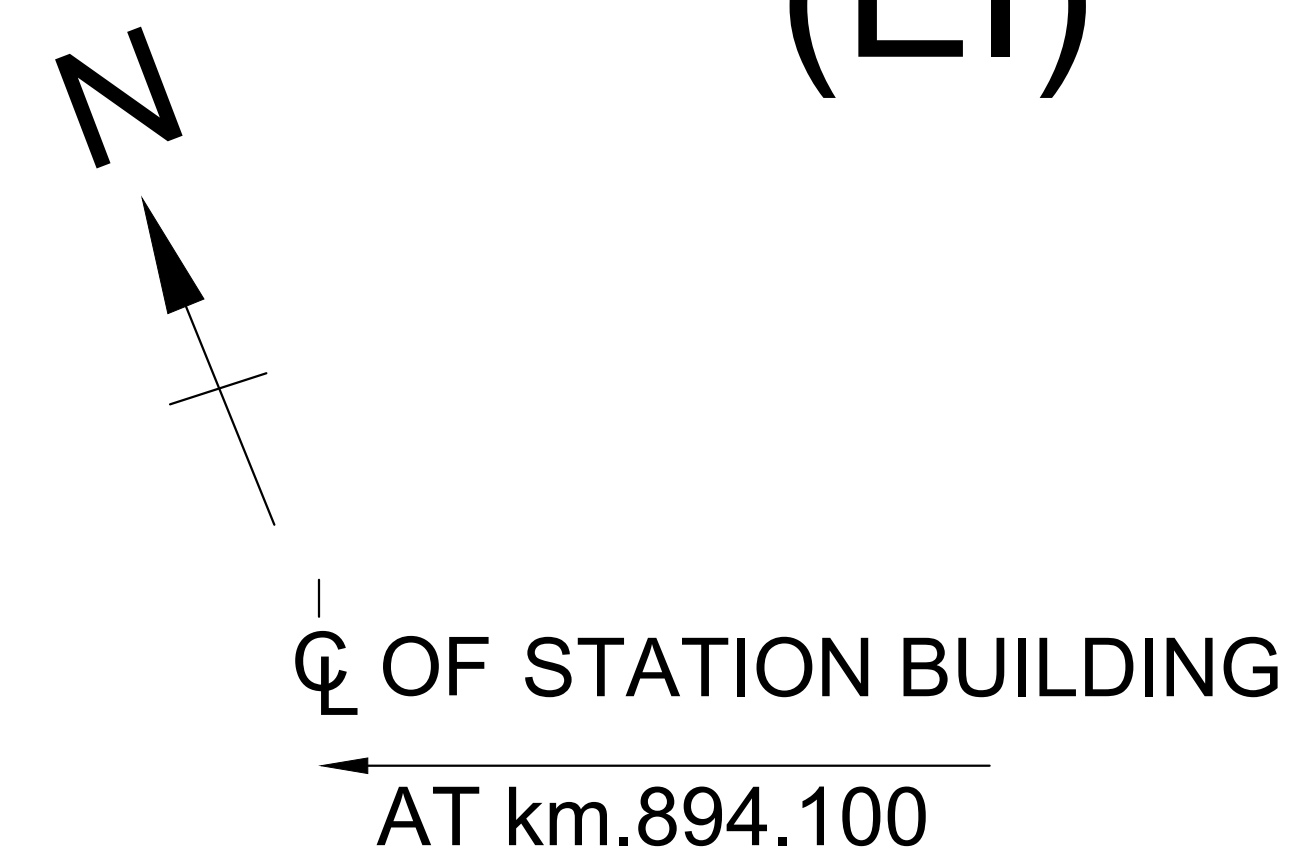


KUNWAR (EI)

ALD-100



TO SUIT NO:S-IP-A-3012
 ALT-'H' DT-01.09.2021
 CLASS- 'B'
 STD- III