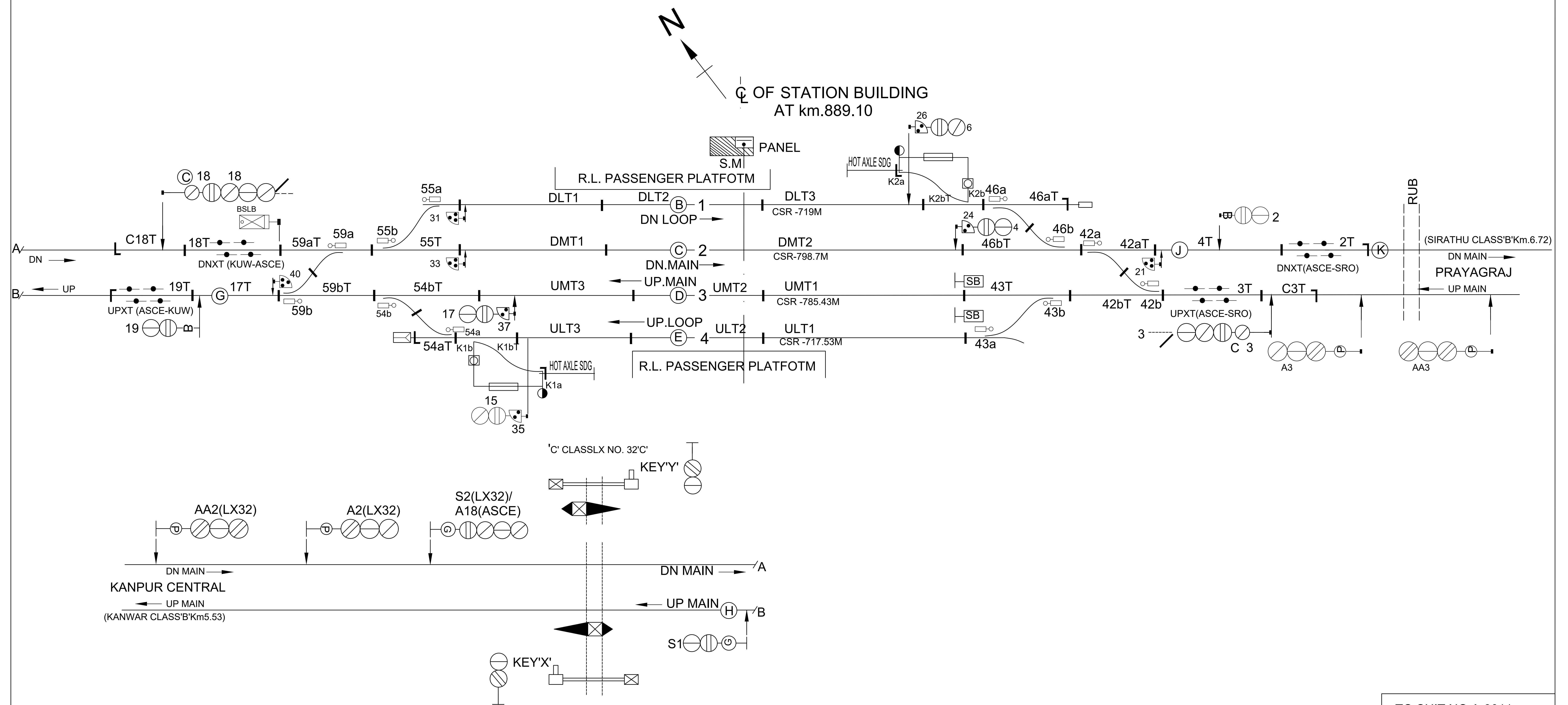


ATHSARAI (EI)

ALD- 101



TO SUIT NO:A-3011
 ALT-'E' DATE-03.02.2021
 CLASS- 'B'
 STD- III