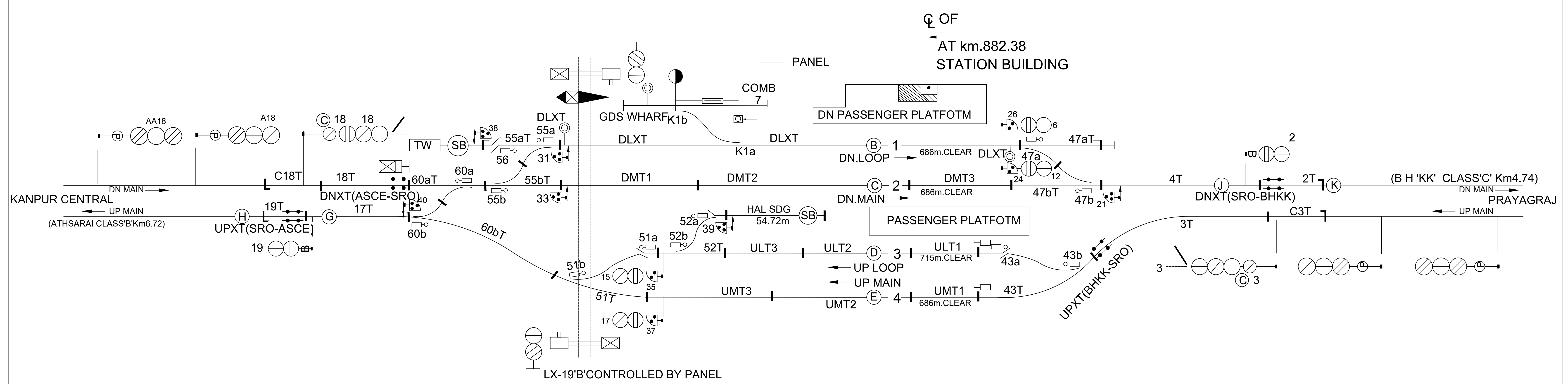
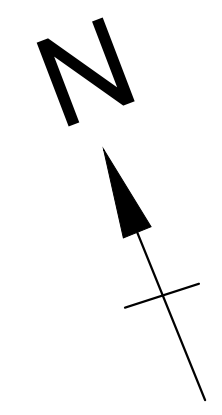


SIRATHU (EI)

ALD- 102



TO SUIT NO:S-IP-F-3010
CLASS- 'B'
STD- III