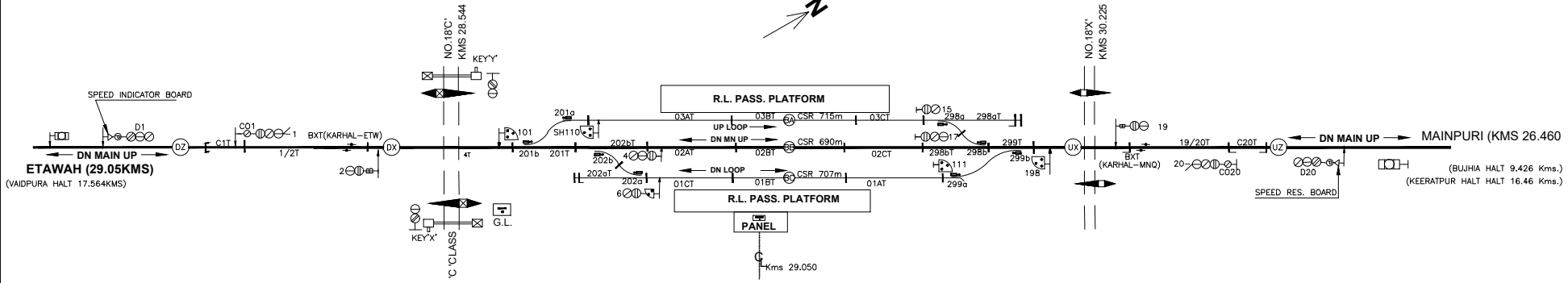


D009

KARHAL CROSSING STN

'B' CLASS STD - II(R)



TO SUIT DRG.
NO. SI- 3405 /'C'
DT.02.12.2016