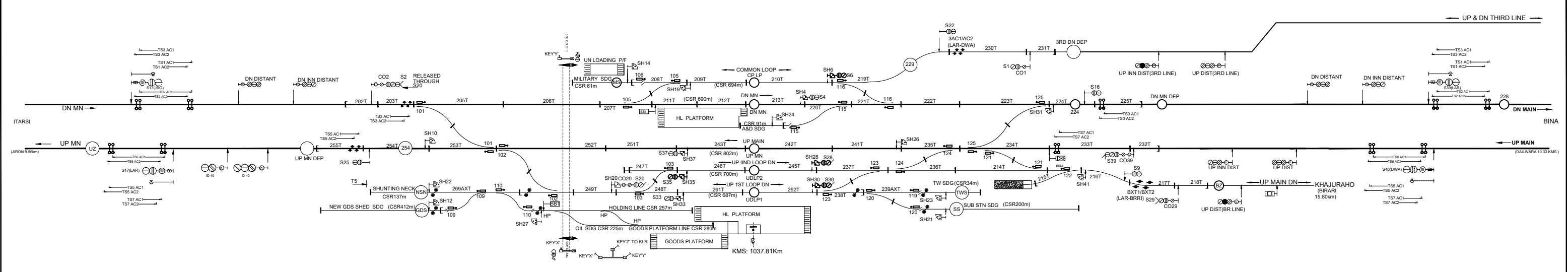


LALITPUR STATION

A-07



TO SUIT SIP NO.B 2231/T1
DT.07.01.2022
'B' CLASS
STD 'III'