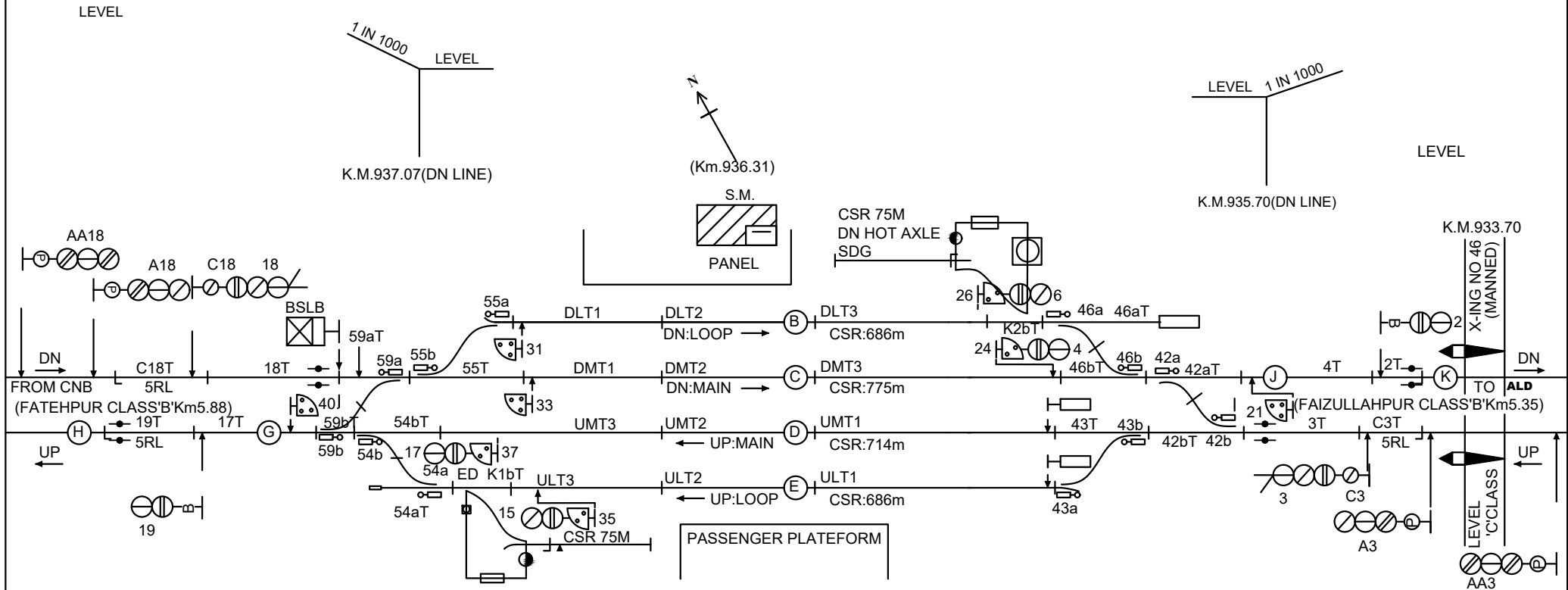


# RAMVA EI

ALD-093



TO SUIT SIP NO.3018  
ALT-'B' DT-07.06.16  
CLASS - 'B'  
STD - III