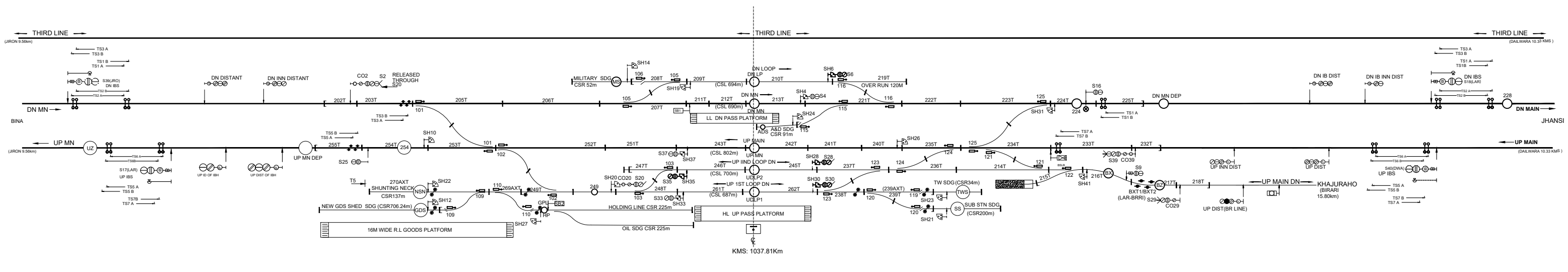


LALITPUR STATION

A-07



TO SUIT SIP NO.SI 2232/1
DT.28.07.2022
'B' CLASS
STD 'III'