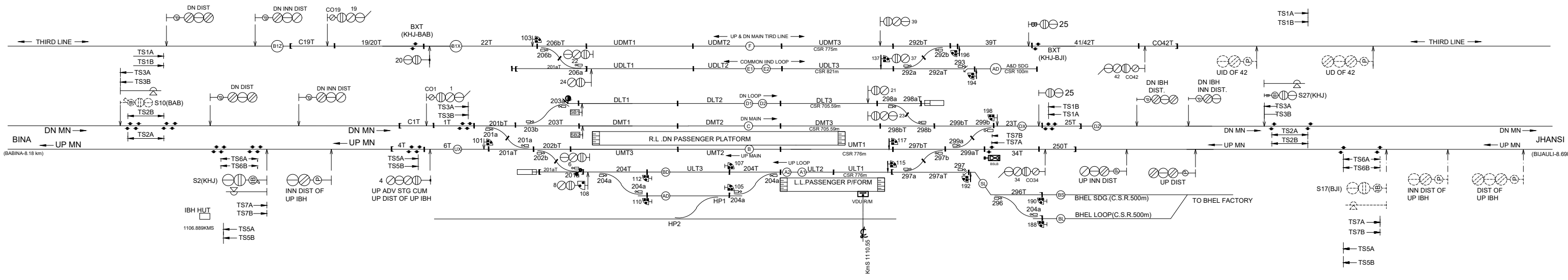


# KHAJRAHA STATION EI 'B' CLASS STD III-R



TO SUIT NO.S.I.-B-2205 /2 PH  
 DT.01.05.19  
 CLASS-B  
 STD-IIIR